

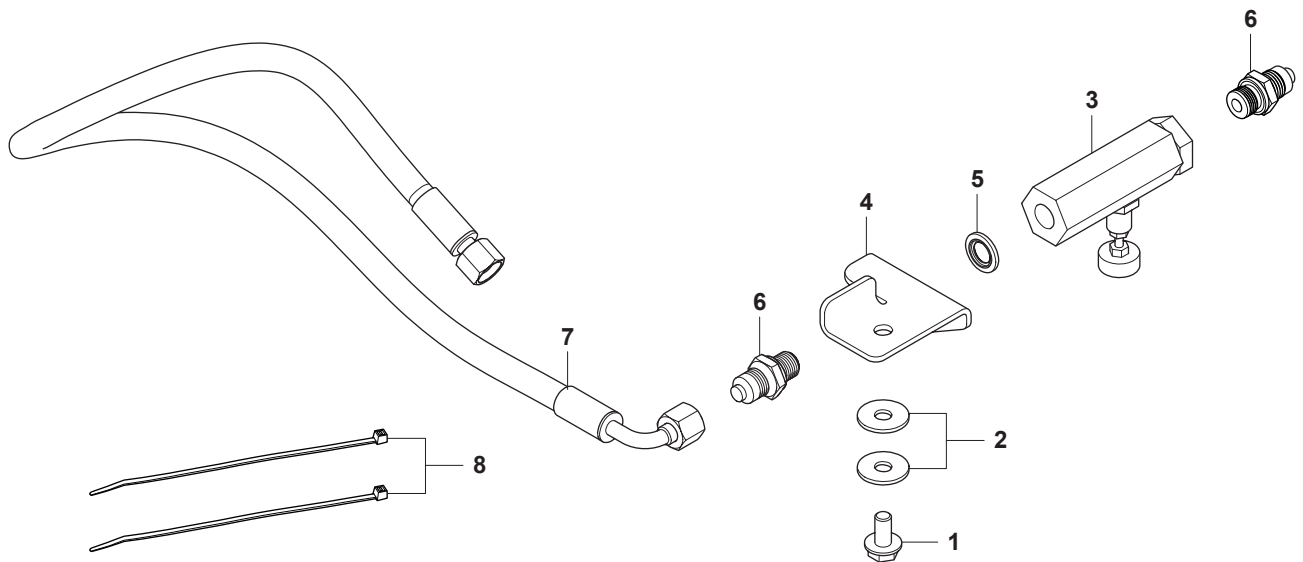


# Flow regulator kit 500 D/DX-series

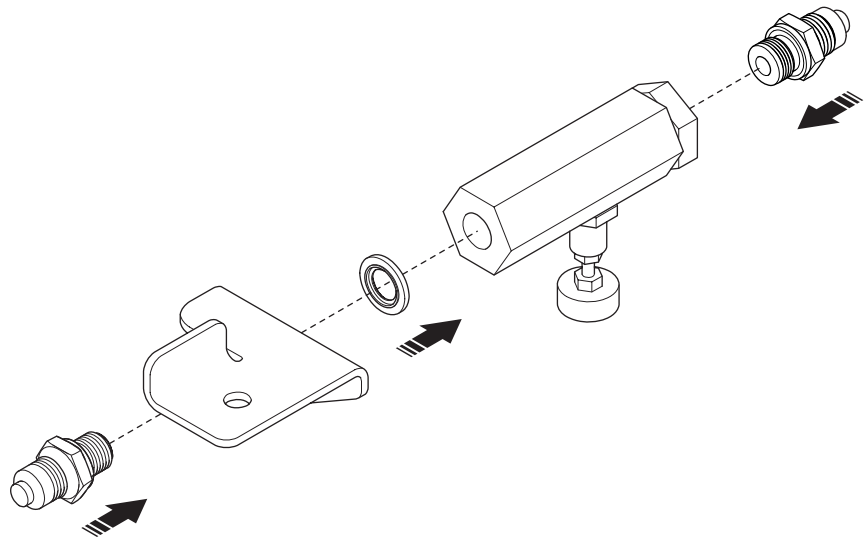


Kit art no: 593 25 95-01

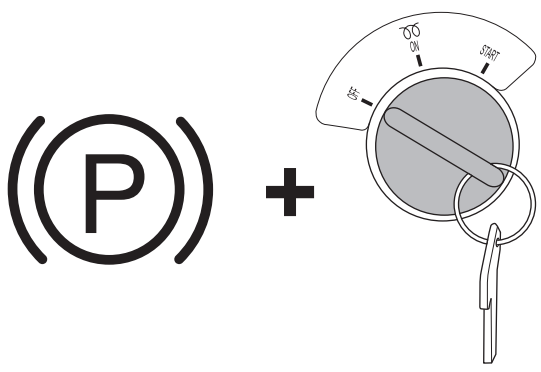
Pos	Art No	Name	Qty
1	506 57 01-03	SCREW EHHFM	1
2	734 11 64-41	WASHER	2
3	593 25 93-01	REGULATOR VALVE	1
4	590 90 50-01	BRACKET	1
5	535 43 72-01	RUBBER STEEL WASHER	1
6	575 88 13-06	CONNECTOR	2
7	578 17 95-02	HYDRAULIC HOSE	1
8	535 47 58-01	TIE WRAPS	2



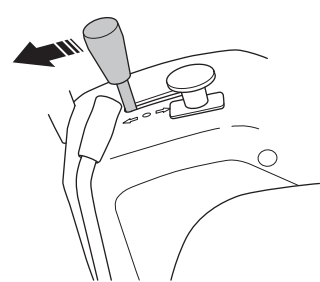
1



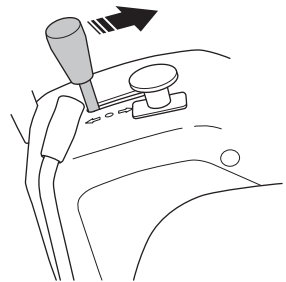
2



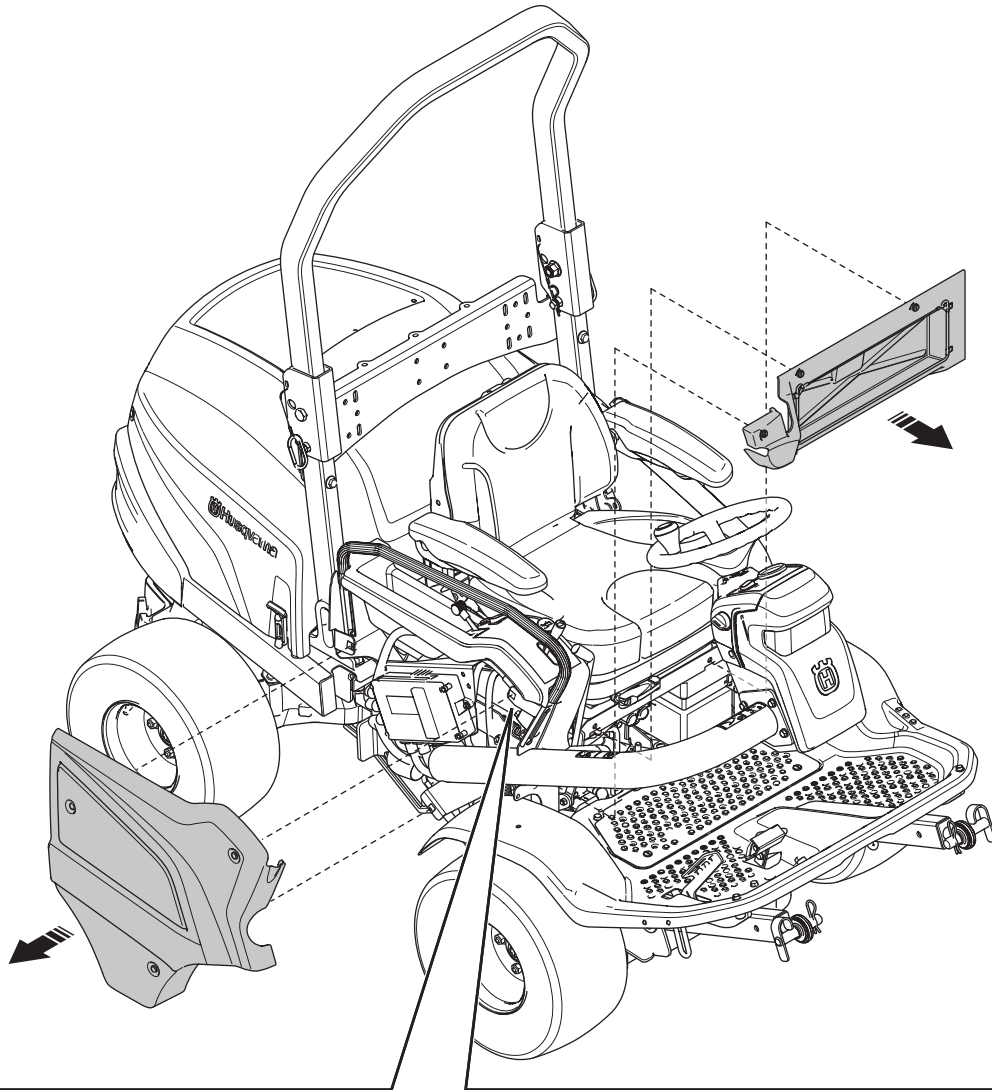
3



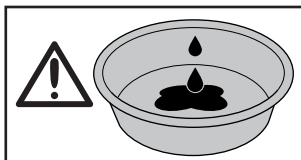
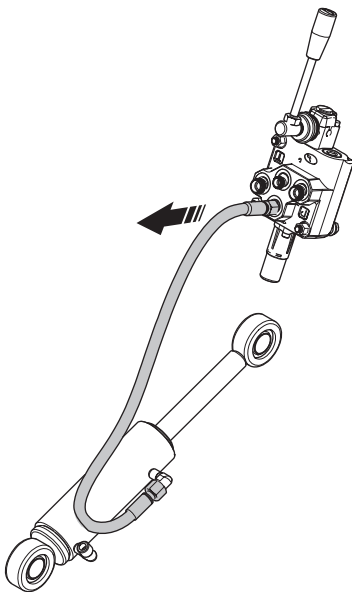
4



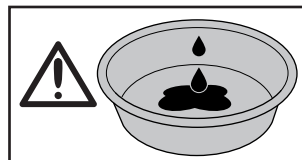
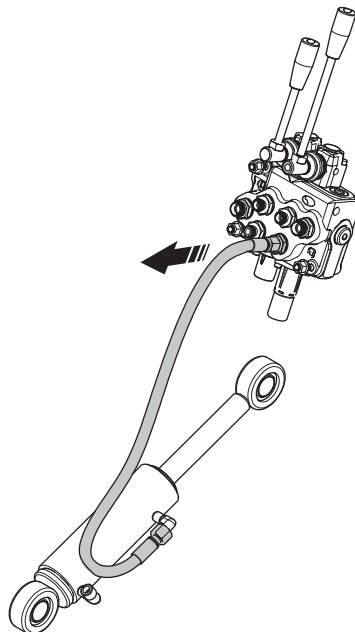
5



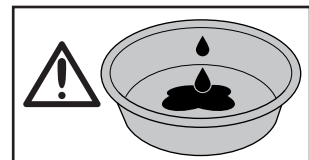
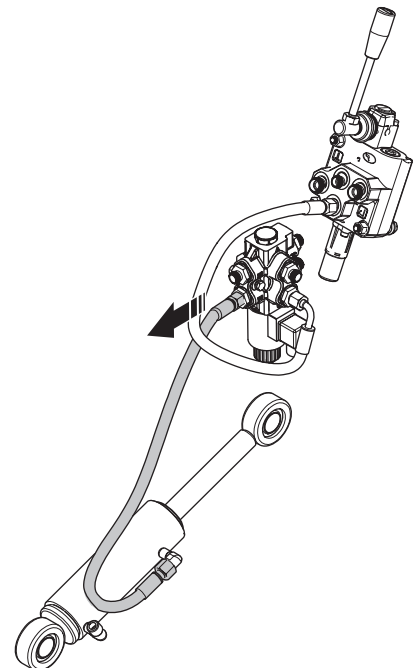
6a



6b

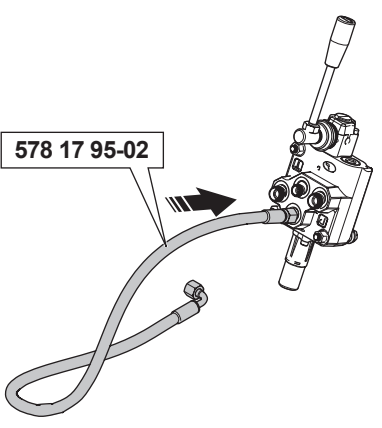


6c



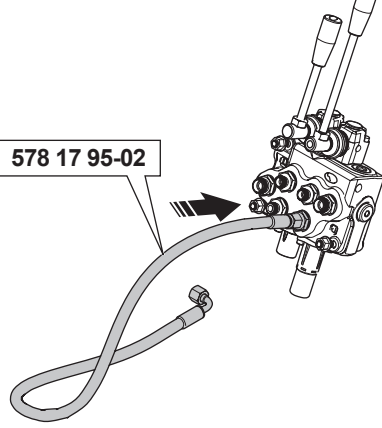
7a

578 17 95-02



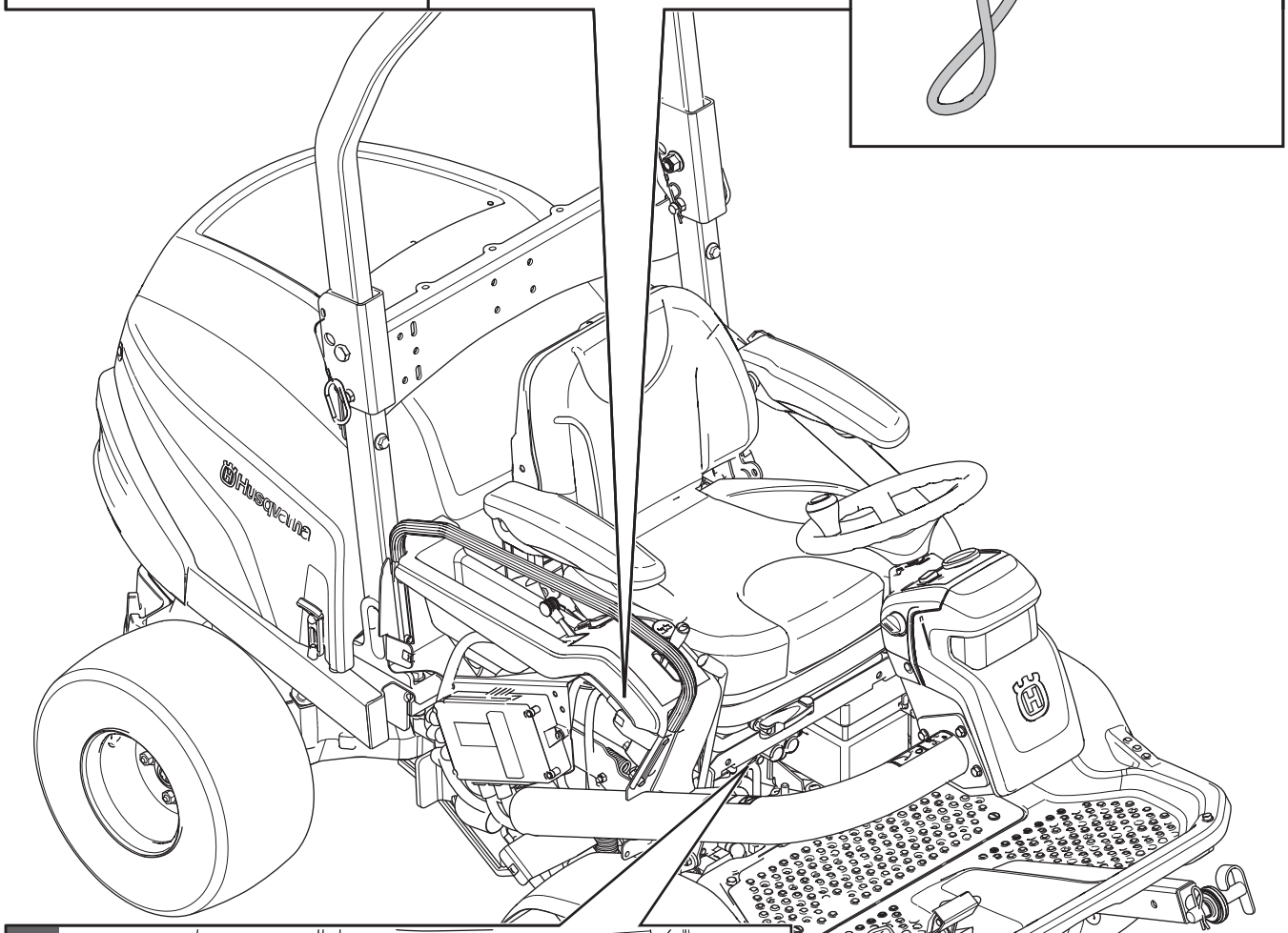
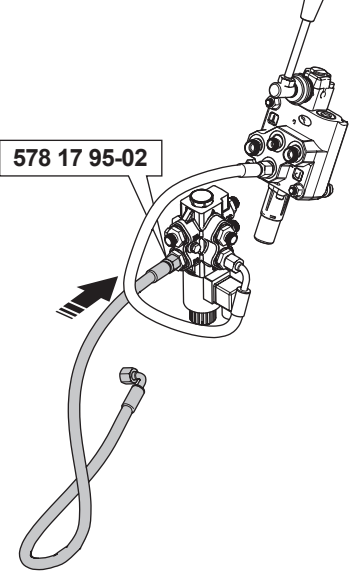
7b

578 17 95-02



7c

578 17 95-02



8

